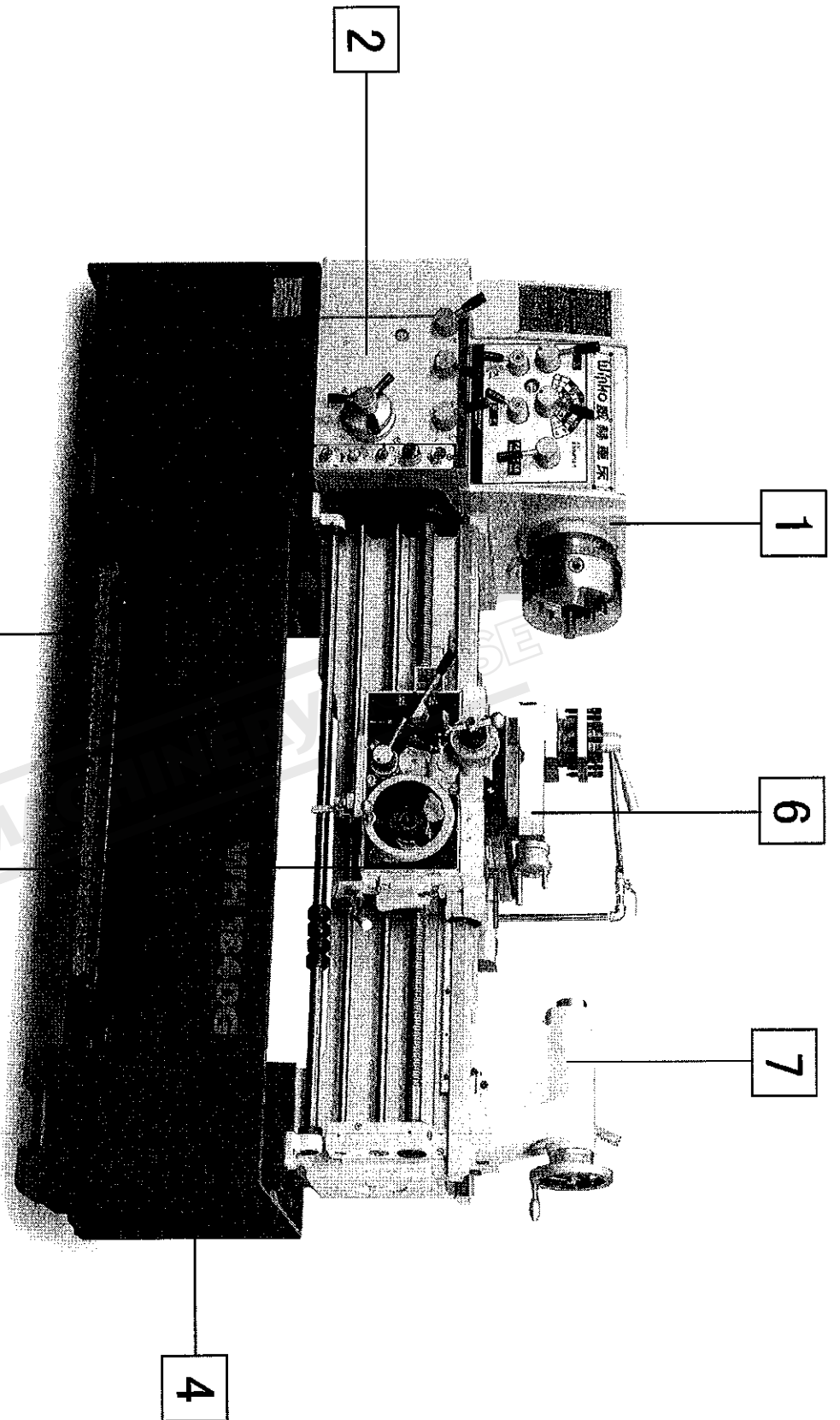


PART LIST

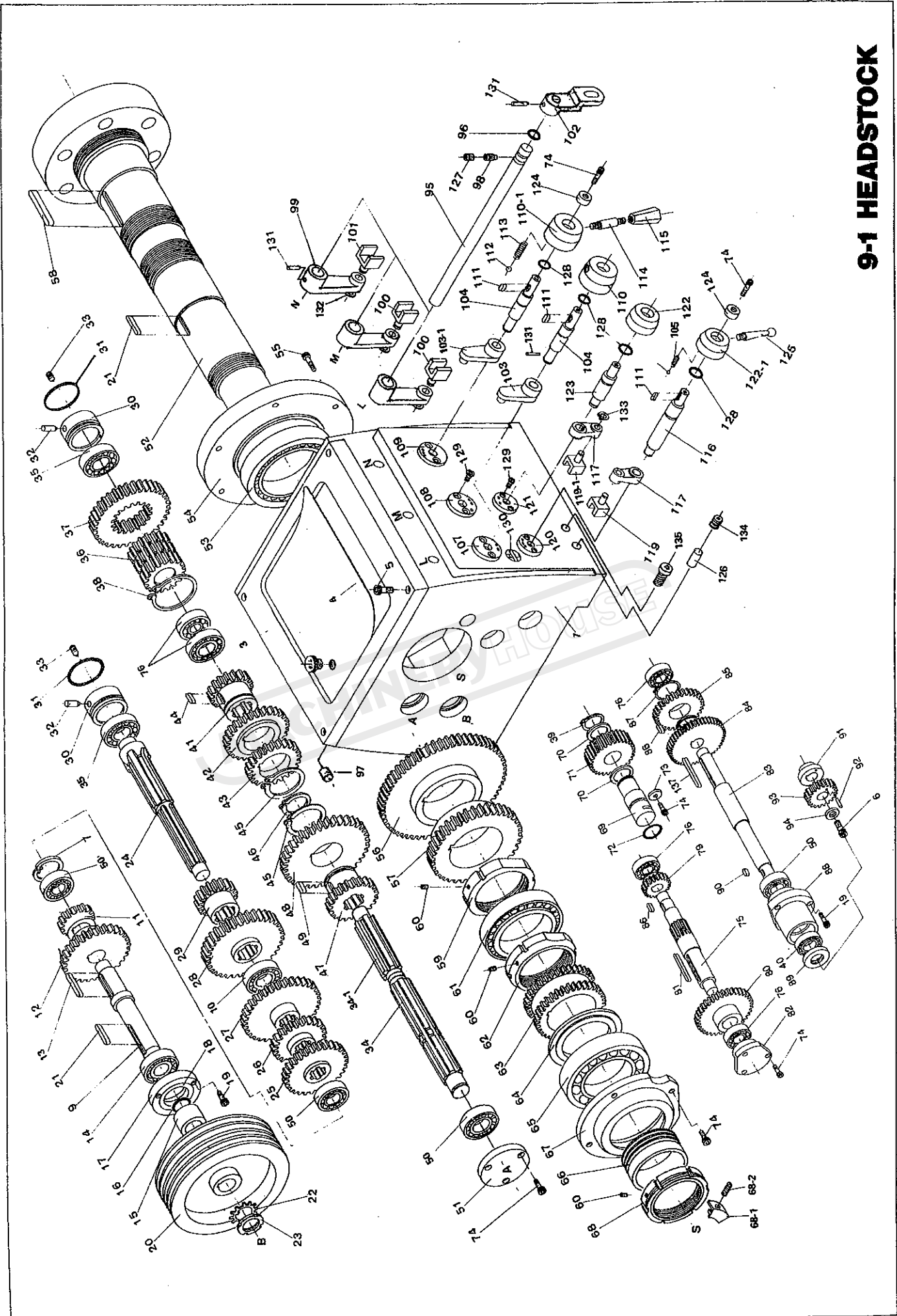
1. HEADSTOCK
2. GEAR BOX
3. APRON
4. BED AND BASE
5. BRAKE SYSTEM
6. CARRIAGE AND CROSSFEED
- 6A. CARRIAGE AND CROSSFEED
7. TAILSTOCK
8. STEADY REST ASSEMBLY
9. FOLLOW REST ASSEMBLY
10. COOLANT SYSTEM ASSEMBLY

- 1 HEADSTOCK
- 2 GEAR BOX
- 3 APRON
- 4 BED AND BASE
- 5 BRAKE SYSTEM
- 6 CARRIAGE AND CROSSFEED
- 6A CARRIAGE AND CROSSFEED
- 7 TAILSTOCK



SYSTEM IN EACH UNIT

9-1 HEADSTOCK



HEADSTOCK ASSEMBLY

Item No.	Part Name	Amt. Used	Type : 16 Part No.	Type : 18 Part No.	Type : 20 Part No.	名稱
1	Head stock	1	1220200609	1220200207	1320200101	主軸箱本體
2	Oil plug	1	1122103405	1122103405	1122103405	油塞
3	Head stock cover	1	1120200509	1120200509	1120200509	主軸箱蓋
4	Blanket	1	1003501701	1003501701	1003501701	主軸箱蓋鐵皮
5	Hexagon socket screw , M8xP1.25x35L	4	91110835	91110835	91110835	六角承窩螺絲
6	Hexagon socket screw , M8xP1.25x25L	1	91110825	91110825	91110825	六角承窩螺絲
7	Snap ring , R48	1				扣環
9	Input-shaft	1	1120200607	1120200607	1120200607	輸入軸
10	Ball bearing , 6206	1	91301021	91301021	91301021	滾珠軸承
11	Gear-i	1	1120200705	1120200705	1120200705	齒輪
12	Gear-g	1	1120200803	1120200803	1120200803	齒輪
13	Square key , 8x7x55L	1	91620804	91620804	91620804	雙圓平行鍵
14	Ball bearing , 6206	2	91301021	91301021	91301021	滾珠軸承
15	Collar	1	1120206501	1120206501	1120206501	間隔圈
17	Housing	1	1120206903	1120206903	1120206903	軸承蓋
18	Oil-seal , TC30x50x8	1	91523001	91523001	91523001	油封
19	Hexagon socket screw , M6xP1.0x25L	6				六角承窩螺絲
20	Pulley	1	1120206305	1220200305	1220200305	從動皮帶輪
21	Square key , 8x7x45L	3	9140360000002	9140360000002	9140360000002	雙圓平行鍵
22	Hexagon socket screw, M12xP1.75x30L	1	91111230	91111230	91111230	六角承窩螺絲
23	Spring washer , 12	1				彈簧華司
24	Shaft-B	1	1120202503	1120202503	1120202503	B軸
25	Gear-d	1	1120200901	1120200901	1120200901	齒輪
26	Gear-b	1	1120201006	1120201006		齒輪
27	Gear-f	1	1120201104	1120201104	1120201104	齒輪
28	Gear-k	1	1120201202	1120201202	1120201202	齒輪
29	Gear-o	1	1120201300	1120201300	1120201300	齒輪
30	Plug-cover	2	1120202905	1120202905	1120202905	護蓋
31	O-ring , P55x3.5	2	9151P055	9151P055	9151P055	O型環
32	Fixed pin	2	1120206707	1120206707	1120206707	護蓋固定銷
33	Set screw	2	1120206805	1120206805	1120206805	固定螺絲
34	Shaft-A	1	1120202601	1120202601	1120202601	A軸
34-1	Shaft-L	1	1120208505	1120208505	1120208505	L軸
35	Ball-bearing , 6305	2	91301029	91301029	91301029	滾珠軸承
36	Gear-l	1	1120201408	1120201408	1120201408	齒輪
37	Gear-m	1	1320200209	1320200209	1320200209	齒輪
38	Snap ring , S65	2				扣環
39	Snap ring , S30	1	9171S030	9171S030	9171S030	扣環
40	Ball bearing , 6005	3	91301010	91301010	91301010	滾珠軸承
41	Gear-e	1	1120201506	1120201506	1120201506	齒輪
42	Gear-a	1	1320200307	1320200307	1320200307	齒輪
43	Gear-c	1	1320200405	1320200405	1320200405	齒輪
44	Square key , 8x7x35L	1	91620802	91620802	91620802	雙圓平行鍵
45	Snap ring , S48	2				扣環

HEADSTOCK ASSEMBLY

Item No.	Part Name	Amt. Used	Type : 16 Part No.	Type : 18 Part No.	Type : 20 Part No.	名稱
46	Snap ring , S34	1	9171S034	9171S034	9171S034	扣環
47	Gear-h	1	1120201604	1120201604	1120201604	齒輪
48	Gear-j	1	1320200503	1320200503	1320200503	齒輪
49	Square key , 8x7x25L	1	91620801	91620801	91620801	雙圓平行鍵
50	Ball bearing , 6205	2	91301020	91301020	91301020	滾珠軸承
51	Cover	1	1120203108	1120203108	1120203108	護蓋
52	Spindle (A1-6)	1	1120200401	1120200401	1120200401	主軸
	(D1-6)	1	1120200303	1120200303	1120200303	
53	Taper roller bearing , 32018	1	91302014	91302014	91302014	滾錐軸承
54	Cover (A1-6)	1	1120200107	1120200107	1120200107	主軸前護蓋
	(D1-6)	1	1120200205	1120200205	1120200205	
55	Hexagon socket screw , M6xP1.0x35L	6	91110635	91110635	91110635	六角承窩螺絲
56	Gear-p	1	1120201702	1120201702	1120201702	齒輪
57	Gear-n	1	1120201800	1120201800	1120201800	變速齒輪
58	Square key , 8x7x85L	1	91620806	91620806	91620806	雙圓平行鍵
59	Lock-nut	1	1120203206	1120203206	1120203206	逼緊螺帽
60	Set screw , M8xP1.25x8L	5	91120808	91120808	91120808	固定螺絲
61	Taper roller bearing , 32017	1	91302013	91302013	91302013	滾錐軸承
62	Lock-nut	1	1120203304	1120203304	1120203304	逼緊螺帽
63	Gear	1	1120201908	1120201908	1120201908	齒輪
64	Collar	1	1120203402	1120203402	1120203402	軸環
65	Ball bearing , 6215	1	91301024	91301024	91301024	滾珠軸承
66	Oil return collar	1	1120203500	1120203500	1120203500	回油軸環
67	Cover	1	1120203608	1120203608	1120203608	主軸後護蓋
68	Lock nut	1	1120203706	1120203706	1120203706	逼緊螺帽
68-1	Balance piece	2	1120203804	1120203804	1120203804	平衡片
68-2	Set screw	4	1120207008	1120207008	1120207008	定位螺絲
69	Idle gear shaft	1	1120207508	1120207508	1120207508	惰輪軸
70	Spacer	2	1120206609	1120206609	1120206609	間隔圈
71	Idle gear	1	1120202003	1120202003	1120202003	惰輪
72	O-ring , P29	1	9151P029	9151P029	9151P029	O型環
73	Washer	1	1120207606	1120207606	1120207606	墊圈
74	Hexagon socket screw , M6xP1.0x16L	16	91110616	91110616	91110616	六角承窩螺絲
75	Gear shaft-C	1	1120202101	1120202101	1120202101	齒輪軸
76	Ball bearing , 6204	5	91301018	91301018	91301018	滾珠軸承
79	Gear	1	1120202209	1120202209	1120202209	齒輪
80	Gear	1	1120202307	1120202307	1120202307	齒輪
81	Square key , 6x6x65L	1				雙圓平行鍵
82	Cover	1	1120203902	1120203902	1120203902	護蓋
83	Shaft-D	1	1120202807	1120202807	1120202807	D軸
84	Gear	1	1120202405	1120202405	1120202405	齒輪
85	Gear	1	1320200601	1320200601	1320200601	齒輪
86	Square key , 6x6x18L	2	91610604	91610604	91610604	雙圓平行鍵
87	Snap ring , S40	1	9171S040	9171S040	9171S040	扣環
88	Housing	1	1120204007	1120204007	1120204007	後列齒輪軸護蓋
89	Oil-seal , TC25x47x8L	1	91522501	91522501	91522501	油封

HEADSTOCK ASSEMBLY

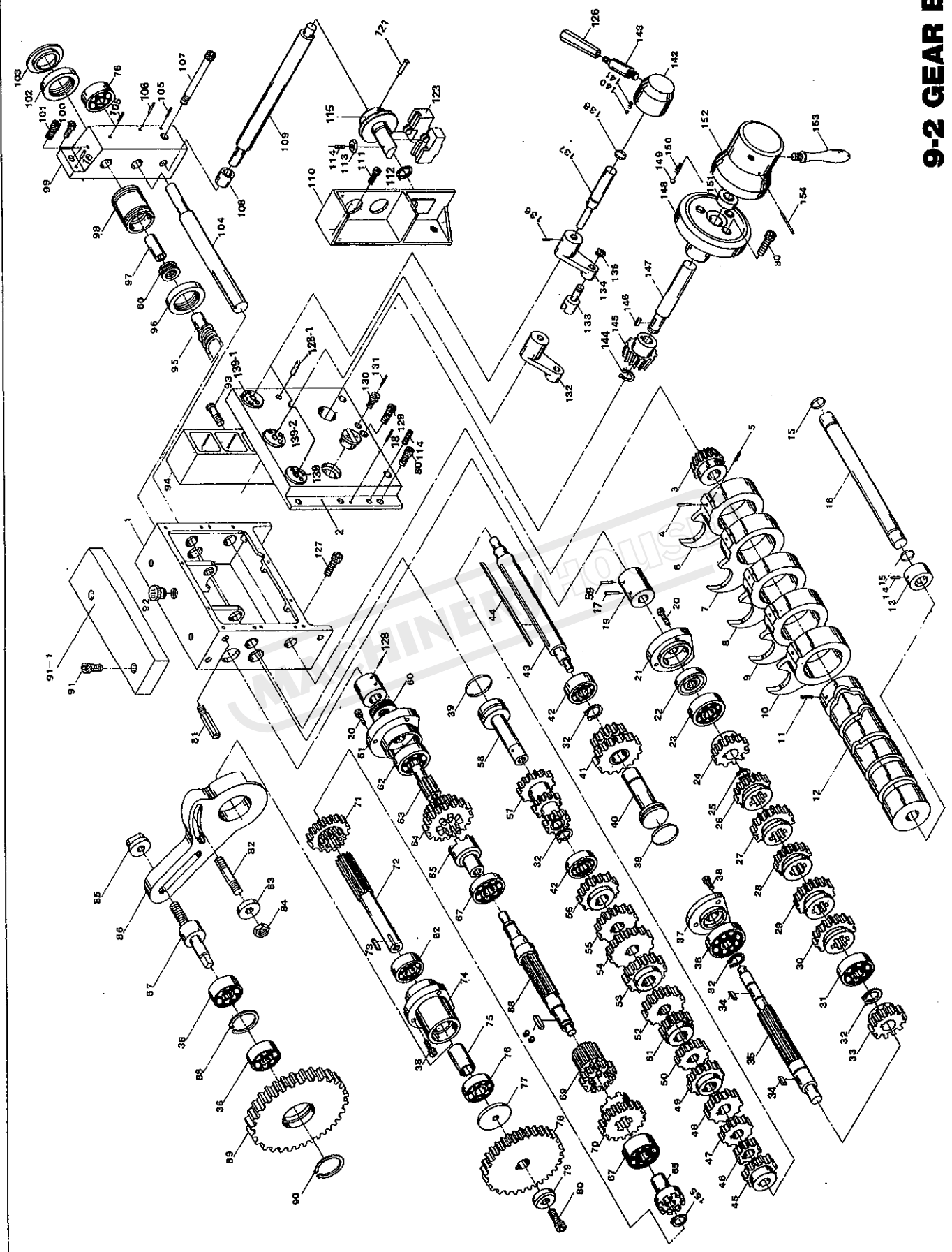
Item No.	Part Name	Amt. Used	Type : 16 Part No.	Type : 18 Part No.	Type : 20 Part No.	名稱
90	Square key , 6x6x12L	1	91610601	91610601	91610601	雙圓平行鍵
91	Collar	1	1121602203	1121602203	1121602203	軸環
92	Taper pin , 0#x25L	1	82010025	82010025	82010025	推拔銷
93	Gear (24T in)	1	1121600405	1121600405	1121600405	輸出齒輪
	Gear (41T mm)	1	1121600307	1121600307	1121600307	
94	Washer	1				特殊墊塊
95	Shifting shaft	3	1120204105	1120204105	1120204105	撥桿軸
96	O-ring , P16	6	9151P016	9151P016	9151P016	O型環
97	Plug	3	1120207704	1120207704	1120207704	塞子
98	Set screw	3	1120204203	1120204203	1120204203	定位螺絲
99	Shifting lever	3	1120204301	1120204301	1120204301	搖臂
100	Shifting fork	2	1120207802	1120207802	1120207802	撥塊
101	Shifting fork	1	1120204409	1120204409	1120204409	撥塊
102	Shifting lever	3	1120204507	1120204507	1120204507	撥叉
103	Shifting lever	2	1120204605	1120204605	1120204605	搖臂
103-1	Shifting lever	1	1120204703	1120204703	1120204703	搖臂
104	Shaft	3	1120204801	1120204801	1120204801	撥桿軸
105	Spring , D6xd0.8x25L	2	91901060102902	91901060102902	91901060102902	彈簧
106	Ball steel , ϕ 1/4"	2				鋼珠
107	Detent plate	1	1120204909	1120204909	1120204909	定位片
108	Detent plate	1	1120205004	1120205004	1120205004	定位片
109	Detent plate	1	1120205102	1120205102	1120205102	定位片
110	Hub	2	1120205200	1120205200	1120205200	變速把手
110-1	Hub	1	1120205308	1120205308	1120205308	變速把手
111	Square key , 5x5x15L	2	91610501	91610501	91610501	雙圓平行鍵
112	Ball steel , ϕ 5/16"	3				鋼珠
113	Spring , D8xd0.8x25L	3				彈簧
114	Lever	3	1120207302	1120207302	1120207302	撥桿軸套
115	Knob	3	1120207400	1120207400	1120207400	電木把手
116	Shaft	1	1120208309	1120208309	1120208309	撥桿軸
117	Shifting lever	2	1120205504	1120205504	1120205504	搖臂
118	Shifting fork	1	1120208005	1120208005	1120208005	撥塊
119	Shifting fork	1	1120205602	1120205602	1120205602	撥塊
119-1	Shifting fork	1	1120205602	1120205602	1120205602	撥塊
120	Detent plate	1	1120205700	1120205700	1120205700	定位片
121	Detent plate	1	1120205808	1120205808	1120205808	定位片
122	Knob	1	1120205906	1120205906	1120205906	變速把手
122-1	Knob	1	1120206001	1120206001	1120206001	變速把手
123	Shaft	1	1220200403	1220200403	1220200403	撥桿軸
124	Washer	5	1120206109	1120206109	1120206109	墊圈
125	Lever	2	1120207204	1120207204	1120207204	電木把手
126	Pin	2	1121600709	1121600709	1121600709	調整銷
127	Set screw , M8xP1.25x10L	3	91120810	91120810	91120810	固定螺絲
128	O-ring , P18xP1.0x14L	5				O型環
129	Screw , M6xP1.0x14L	10	91160614	91160614	91160614	六角孔埋頭螺絲
130	Lenz-oil , ϕ 28	1	93902003000004	93902003000004	93902003000004	油鏡
131	Spring pin , ϕ 5x32L	9				彈簧銷

HEADSTOCK ASSEMBLY

Item No.	Part Name	Amt. Used	Type : 16 Part No.	Type : 18 Part No.	Type : 20 Part No.	名稱
	Spring pin , ϕ 5x26L	2	92030526	92030526	92030526	
132	Snap ring , S12	3	9171S012	9171S012	9171S012	扣環
133	Snap ring , S10	2				扣環
134	Set screw , M10xP1.5x20L	2	91121020	91121020	91121020	固定螺絲
135	Hexagon socket screw , M10xP1.5x95L	2	91111095	91111095	91111095	六角承窩螺絲
136	Hexagon socket screw , M6xP1.0x40L	4	91110640	91110640	91110640	六角承窩螺絲
137	Square key , 6x6x70L	1	91610608	91610608	91610608	雙圓平行鍵

MACHINERYHOUSE

9-2 GEAR BOX



GEAR BOX ASSEMBLY

Item No.	Part Name	Amt. Used	Type : 16 Part No.	Type : 18 Part No.	Type : 20 Part No.	名稱
1	Gear box	1	1210300307	1210300307	1210300307	齒輪箱本體
2	Cover-gear box	1	1210300101	1210300101	1210300101	齒輪箱蓋
3	Gear-driven bevel	1	1210300405	1210300405	1210300405	從動傘齒輪
4	Pin-fixed	5	1210300503	1210300503	1210300503	固定銷
5	Pin-split	5	92004000000014	92004000000014	92004000000014	開口銷
6	Claw-shifter	1	1210300601	1210300601	1210300601	撥爪
7	Claw-shifter	1	1210300709	1210300709	1210300709	撥爪
8	Claw-shifter	1	1210300807	1210300807	1210300807	撥爪
9	Claw-shifter	1	1210300905	1210300905	1210300905	撥爪
10	Claw-shifter	1	1210301000	1210301000	1210301000	撥爪
11	Screw-hexa. socket headless set, M8xP1.25x8L	1	1210301108	1210301108	1210301108	固定螺絲
12	Cam-shifter	1	1210301206	1210301206	1210301206	變速凸輪
13	Collar	1	1210301304	1210301304	1210301304	H軸固定環
14	Set screw, M8x12	2	9111008012	9111008012	9111008012	車削止付
15	Ring-"O", P18	2	9151P018	9151P018	9151P018	O型環
16	Shaft-"A"	1	1210301402	1210301402	1210301402	H軸
17	Pin-taper, 4x38	3	92010438	92010438	92010438	推拔銷
18	Pin-taper, 6x38	2	1210702301	1210702301	1210702301	推拔銷
19	Collar-linkage	1	1210301500	1210301500	1210301500	螺桿連接軸
20	Screw-hexa. socket head cap, M6xP1.0x16L	6	91110616	91110616	91110616	六角承窩螺絲
21	Cap-right	1	1210301608	1210301608	1210301608	右下護蓋
22	Seal-oil, 20x40x10L	1	91522001	91522001	91522001	油封
23	Bearing-ball, 6204	1	91301018	91301018	91301018	滾珠軸承
24	Gear-"B" shaft	1	1210301706	1210301706	1210301706	G軸固定齒輪
25	Snap ring, S25	2	9171S025	9171S025	9171S025	扣環
26	Gear-"B" shaft	1	1210301804	1210301804	1210301804	G軸變速齒輪
27	Gear-"B" shaft	1	1210301902	1210301902	1210301902	G軸變速齒輪
28	Gear-"B" shaft	1	1210302007	1210302007	1210302007	G軸變速齒輪
29	Gear-"B" shaft	1	1210302105	1210302105	1210302105	G軸變速齒輪
30	Gear-"B" shaft	1	1210302203	1210302203	1210302203	G軸變速齒輪
31	Bearing-ball, 6004	1	91301006	91301006	91301006	滾珠軸承
32	Snap ring, S20	2	9171S020	9171S020	9171S020	扣環
33	Gear-"B" shaft	1	1210302301	1210302301	1210302301	G軸固定齒輪
34	Key-square, 6x6x20L	2	91610605	91610605	91610605	雙圓平行鍵
35	Shaft-"B"	1	1210302409	1210302409	1210302409	G軸
36	Bearing-ball, 6003	3	91301005	91301005	91301005	滾珠軸承
37	Cap-left	1	1210302507	1210302507	1210302507	左下護蓋
38	Screw-hexa. socket head cap, M6xP1.0x12L	6	91110612	91110612	91110612	六角承窩螺絲
39	Ring-"O", P36	2	9151P036	9151P036	9151P036	O型環
40	Shaft-"C"	1	1210302605	1210302605	1210302605	E軸
41	Gear-"C" shaft	1	1210302703	1210302703	1210302703	E軸齒輪
42	Bearing, 6203	2	91301016	91301016	91301016	滾珠軸承
43	Shaft-"D"	1	1210302801	1210302801	1210302801	D軸
44	Key-square, 6x6x146L	1				雙圓平行鍵
45	Gear-"D" shaft	1	1210302909	1210302909	1210302909	D軸齒輪

GEAR BOX ASSEMBLY

Item No.	Part Name	Amt. Used	Type : 16 Part No.	Type : 18 Part No.	Type : 20 Part No.	名稱
46	Gear-"D" shaft	1	1210303004	1210303004	1210303004	D軸齒輪
47	Gear-"D" shaft	1	1210303102	1210303102	1210303102	D軸齒輪
48	Gear-"D" shaft	1	1210303200	1210303200	1210303200	D軸齒輪
49	Gear-"D" shaft	1	1210303308	1210303308	1210303308	D軸齒輪
50	Gear-"D" shaft	1	1210303406	1210303406	1210303406	D軸齒輪
51	Gear-"D" shaft	1	1210303504	1210303504	1210303504	D軸齒輪
52	Gear-"D" shaft	1	1210303602	1210303602	1210303602	D軸齒輪
53	Gear-"D" shaft	1	1210303700	1210303700	1210303700	D軸齒輪
54	Gear-"D" shaft	1	1210303808	1210303808	1210303808	D軸齒輪
55	Gear-"D" shaft	1	1210303906	1210303906	1210303906	D軸齒輪
56	Gear-"D" shaft	1	1210304001	1210304001	1210304001	D軸齒輪
57	Gear-"E" shaft	1	1210304109	1210304109	1210304109	E軸齒輪
58	Shaft-"E"	1	1210304207	1210304207	1210304207	E軸
59	Pin-taper , 3x38	1	1003502904	1003502904	1003502904	鋁斜銷
60	Bearing-thrust , 51104	2	91303003	91303003	91303003	止推軸承
61	Cap	1	1210304305	1210304305	1210304305	右上導套
62	Bearing-ball , 6004V	2	91301008	91301008	91301008	滾珠軸承
63	Shaft-"F"	1	1210304403	1210304403	1210304403	C軸
64	Gear-"F" shaft	1	1210304501	1210304501	1210304501	C軸齒輪
65	Gear-"F" shaft (left)	1				C軸齒輪
	(right)	1				
66	Square key , 4x4x20L	2	91610401	91610401	91610401	雙圓平行鍵
67	Bearing-ball , 6005	2	91301010	91301010	91301010	滾珠軸承
68	Shaft-"G"	1	1210304805	1210304805	1210304805	A軸
69	Gear-"G" shaft	1	1210304903	1210304903	1210304903	A軸變速齒輪
70	Gear-"G" shaft	1	1210305008	1210305008	1210305008	A軸變速齒輪
71	Gear-"H" shaft	1	1210305106	1210305106	1210305106	B軸離合齒輪
72	Shaft-"H"	1	1210300209	1210300209	1210300209	B軸
73	Key-square , 6x6x13L	1	91610602	91610602	91610602	單圓平行鍵
74	Cap-bearing	1	1210305204	1210305204	1210305204	軸承套
75	Bushing-"H" shaft	1	1210305302	1210305302	1210305302	間隔圈
76	Bearing-ball , 6004Z	1	91301007	91301007	91301007	滾珠軸承
77	Spacer	1	1121600905	1121600905	1121600905	B軸擋塊
78	Gear-drive shaft (57T in)	1	1121600601	1121600601	1121600601	傳動齒輪
	(92T mm)	1	1121600503	1121600503	1121600503	
79	Washer	1	1121602105	1121602105	1121602105	特殊墊塊
80	Screw-hexa. socket head cap, M8xP1.25x16L	1	91110816	91110816	91110816	六角承窩螺絲
81	Bolt-lock end cover	1	1122100208	1122100208	1122100208	側蓋鎖緊螺栓
82	Stud	1	1121601108	1121601108	1121601108	螺栓
83	Washer , 1/2	1	1121602301	1121602301	1121602301	墊塊
84	Nut , W1/2	1	91210016	91210016	91210016	螺帽
85	Nut-lock stud	1	1121601706	1121601706	1121601706	齒輪軸螺帽
86	Quadrat	1	1121601000	1121601000	1121601000	可調支架
87	Stud-gear	1	1121601206	1121601206	1121601206	活動齒輪軸
88	Snap ring , R35	1	9171R035	9171R035	9171R035	扣環
89	Gear-quadrat (71T in)	1	1121600209	1121600209	1121600209	惰輪

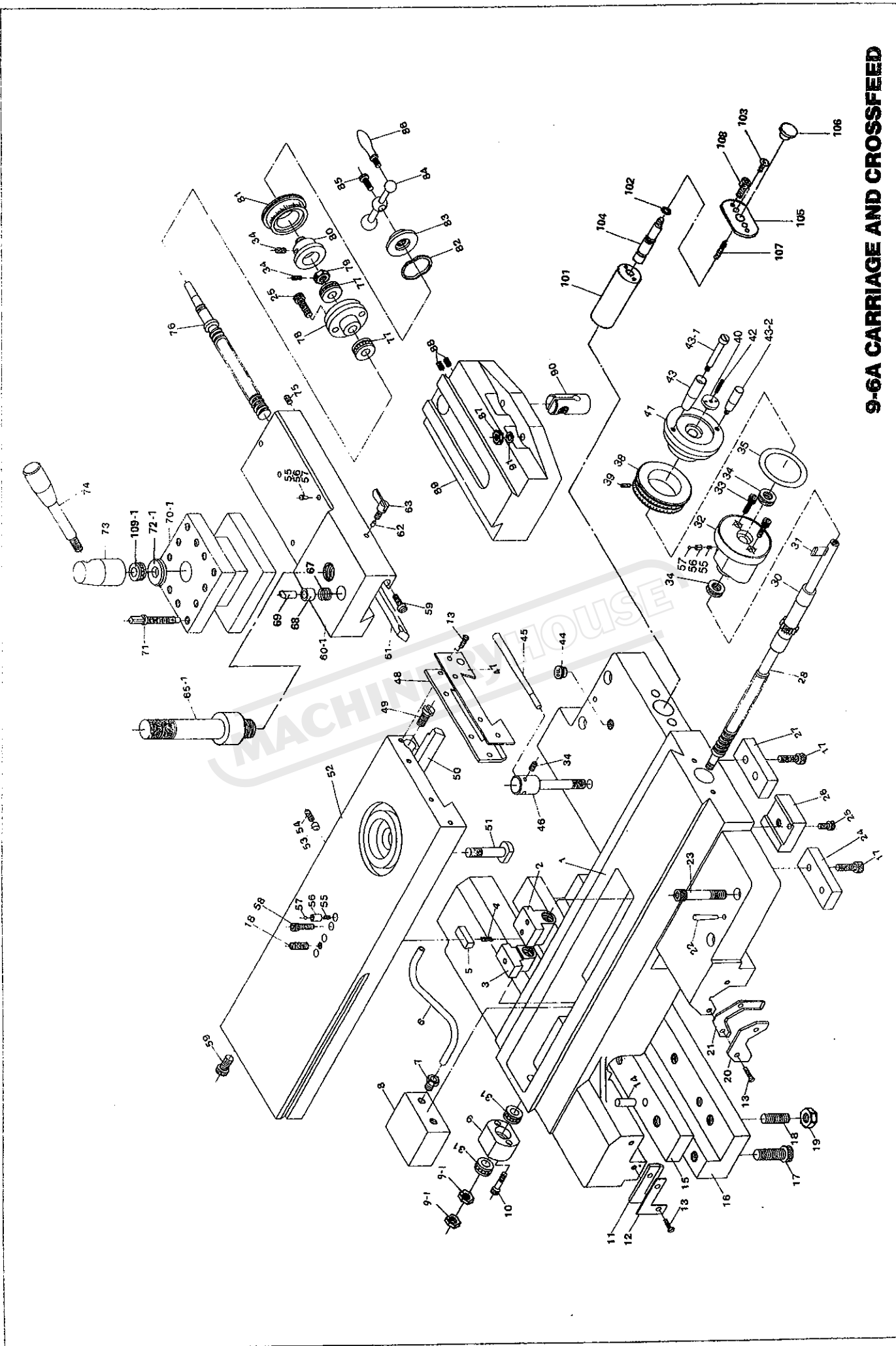
GEAR BOX ASSEMBLY

Item No.	Part Name	Amt. Used	Type : 16 Part No.	Type : 18 Part No.	Type : 20 Part No.	名稱
	(84T mm)	1	1121600101	1121600101	1121600101	
90	Snap ring , S16	1				扣環
91	Screw-hexa. socket head cap, M6xP1.0x25L	2	91110625	91110625	91110625	六角承窩螺絲
91-1	Cover	1	1222100200	1222100200	1222100200	齒輪箱上蓋
92	Plug-oil inlet	1	1122101401	1122101401	1122101401	油塞
93	Screw-hexa. socket head cap, M6xP1.0x65L	2				六角承窩螺絲
94	Seat-pilot light		121071206	121071206	121071206	指示燈座
95	Lead-screw (5 feet in)	1	1210700209	1210700209	1210700209	導螺桿
	(5 feet mm)	1	1210700101	1210700101	1210700101	
	(6 feet in)	1	1220700202	1220700202	1220700202	
	(6 feet mm)	1	1220700104	1220700104	1220700104	
	(8 feet in)	1	1230700205	1230700205	1230700205	
	(8 feet mm)	1	1230700107	1230700107	1230700107	
	(10 feet in)	1	1240700208	1240700208	1240700208	
	(10 feet mm)	1	1240700100	1240700100	1240700100	
96	Nut-lock	1	1210700709	1210700709	1210700709	導螺桿調整軸套
97	Bushing-leadscrew	1				
98	Plug-lead screw	1	1210700709	1210700709	1210700709	導螺桿調整軸套
99	rod	1	1210700807	1210700807	1210700807	三桿支架
100	Screw-hexa. socket head cap, M8xP1.25x25L	1	1122101509	1122101509	1122101509	銅油塞
101	Screw-hexa. socket head cap, M8xP1.25x30L	1	91110830	91110830	91110830	六角承窩螺絲
102	Nut-lock	1	1210700709	1210700709	1210700709	導螺桿調整軸套
103	Plug-plastic	1	1122101607	1122101607	1122101607	側封蓋
104	Rod-feed	1	1210700307	1210700307	1210700307	自動進刀輸出軸
105	Screw-hexa. socket headless set, M6xP1.0x20L	2				固定螺絲
106	Pin-taper , 6x100L	1	1210700601	1210700601	1210700601	推拔銷
107	Bolt-hexa. socket head cap, M8xP1.25x80L	1				六角承窩螺絲
108	Bushing-spindle starting rod	1	1210700905	1210700905	1210700905	起動桿軸襯
109	feet)	1	1210700405	1210700405	1210700405	啓動桿
	(6 feet)	1	1220700408	1220700408	1220700408	
	(8 feet)	1	1230700401	1230700401	1230700401	
	(10 feet)	1	1240700404	1240700404	1240700404	
110	Seat-switch	1	1210701304	1210701304	1210701304	開關護板
111	Screw-hexa. socket head cap, M8xP1.25x25L	2	91110825	91110825	91110825	六角承窩螺絲
112	Snap ring , S30	1	9171S030	9171S030	9171S030	扣環
113	Nut , M6xP1.0	1	91210006	91210006	91210006	螺帽
114	Screw-hexa. socket headless set, M6xP1.0x20L	1	1210305400	1210305400	1210305400	固定螺絲
115	Bracket	1	1210701402	1210701402	1210701402	起動器
121	Pin , 5x30L	1	92030530	92030530	92030530	彈簧銷
122	Screw-hexa. socket headless set, M6xP1.0x8L	1				

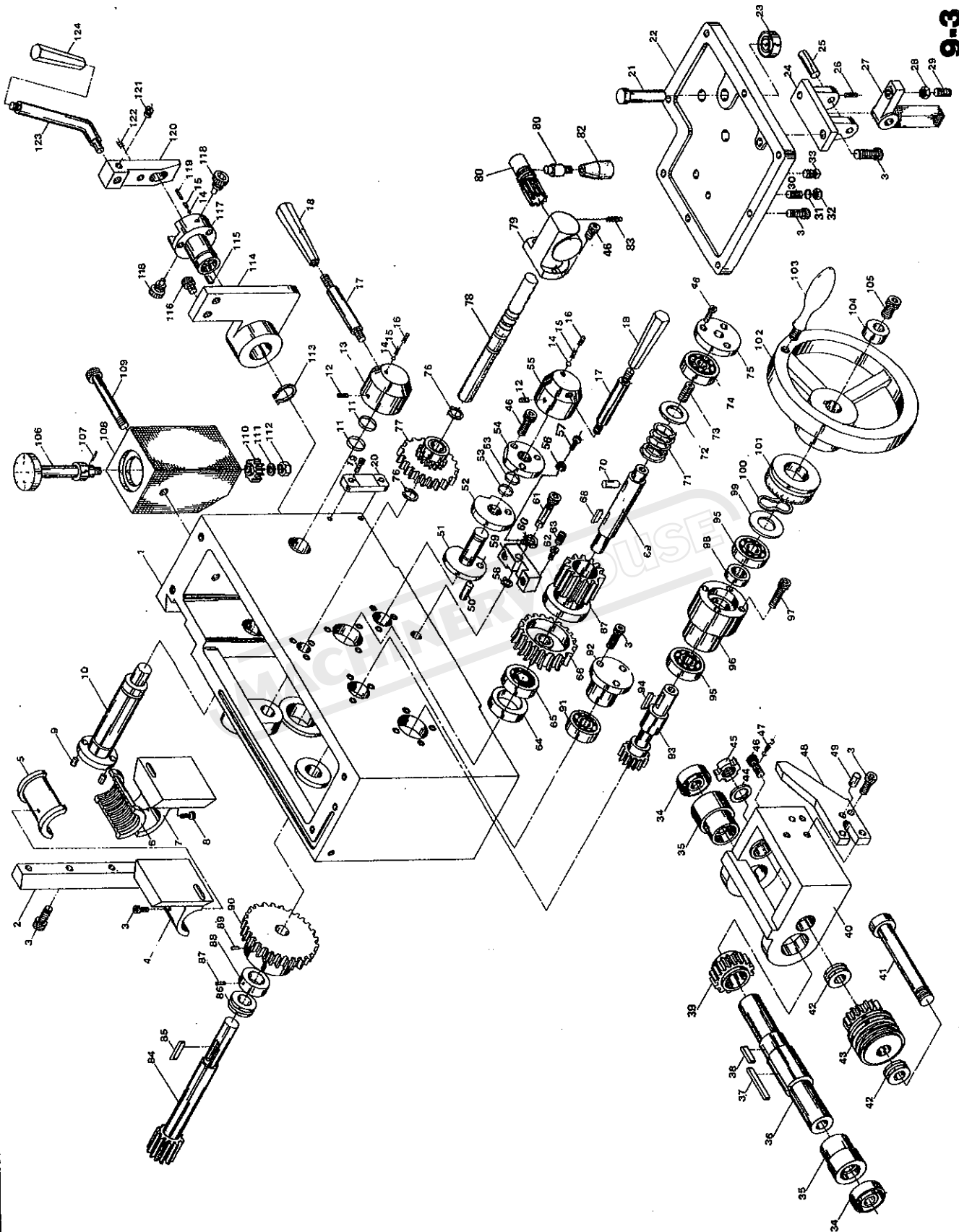
GEAR BOX ASSEMBLY

Item No.	Part Name	Amt. Used	Type : 16 Part No.	Type : 18 Part No.	Type : 20 Part No.	名稱
123	Switch	2				
126	Knob	3	1120207400	1120207400	1120207400	電木把手
127	Screw-hexa. socket head cap, M10xP1.5x35L	4	1210701500	1210701500	1210701500	螺栓
128	Pin-taper , 0x38	1	1003502904	1003502904	1003502904	鋁斜銷
128-1	Pin-taper , 6x45	1	2251002303	2251002303	2251002303	推拔銷
129	Screw-hexa. socket head cap, M8xP1.25x40L	7	91110840	91110840	91110840	六角承窩螺絲
130	Screw-taper , oil outlet , PT3/8	1				方頭油塞
131	Screw-set , taper , PT1/8	1				
132	Shifter	2	1210305606	1210305606	1210305606	變速撥塊
133	Shoe-shifter	3	1210305704	1210305704	1210305704	撥塊
134	Shifter	1	1210306005	1210306005	1210306005	變速撥塊
135	Snap ring , S10	3				扣環
136	Pin-spring , 5x26	3	92030526	92030526	92030526	彈簧銷
137	Shaft-shifter	3	1210306103	1210306103	1210306103	變速撥桿軸
138	Ring-"O" , P12	3	9151P012	9151P012	9151P012	O型環
139	Detent plate	1	1210306201	1210306201	1210306201	變速定位片
139-1	Detent plate	1	1210306309	1210306309	1210306309	變速定位片
139-2	Detent plate	1	1210306407	1210306407	1210306407	變速定位片
140	Ball-steel , 1/4	3				鋼珠
141	Spring , 5x26	3				彈簧
142	Hub	3	1210306505	1210306505	1210306505	把手頭
143	Lever	3	1210306701	1210306701	1210306701	撥桿軸套
144	Snap ring , S15	1	9171S015	9171S015	9171S015	扣環
145	Gear-drive bevel	1	1210306809	1210306809	1210306809	主動傘齒輪
146	Key-square , 5x5x15L	1				雙圓平行鍵
147	Shaft-bevel gear	1	1210306907	1210306907	1210306907	十段變速軸
148	Seat-gear shifting	1	1210307002	1210307002	1210307002	十段變速座
149	Ball-steel , 5/16	1				鋼珠
150	Spring , 8x20	1				彈簧
151	Seal-oil , 20x35x10	1				油封
152	Hub	1				十段變速把手頭
153	Handle	1	1120207204	1120207204	1120207204	把手
154	Pin , 5x50	1	92030550	92030550	92030550	彈簧銷
155	Snap ring , S18	2				扣環

9-6A CARRIAGE AND CROSSFEED



9-3 APRON



APRON ASSEMBLY

Item No.	Part Name	Amt. Used	Type : 16 Part No.	Type : 18 Part No.	Type : 20 Part No.	名稱
1	Body-Apron (right)	1	1210900209	1210900209	1210900209	護床本體
	(left)	1	1210900101	1210900101	1210900101	
2	Gib	1	1210901706	1210901706	1210901706	炭條
3	Screw-hexa. socket head cap, M6xP1.0x16L	17	91110616	91110616	91110616	六角承窩螺絲
4	Holder-half nut (right)	1	1210900405	1210900405	1210900405	半開螺帽座
	(left)	1	1210900307	1210900307	1210900307	
5	Nut-half (in)	1	121090051	121090051	121090051	半開螺帽
	(mm)	1	121090061	121090061	121090061	
6	Nut-half (in)	1	121090051	121090051	121090051	半開螺帽
	(mm)	1	121090061	121090061	121090061	
7	Holder-half nut	1				
8	Screw-hexa. socket head cap , M6xP1.0x16L	1	91110616	91110616	91110616	六角承窩螺絲
9	Pin-sliding	2	1210902507	1210902507	1210902507	滑塊銷
10	Shaft-half nut (right)	1	1210900807	1210900807	1210900807	半開螺帽心軸
	(left)	1	1210900709	1210900709	1210900709	
11	Ring-O , P26	2	9151P026	9151P026	9151P026	O型環
12	Screw-hexa. socket head cap , M8xP1.25x20L	2	1210902605	1210902605	1210902605	固定螺絲
13	Hub	1				
14	Ball-steel , 1/4"	3				鋼珠
15	Spring , φ 1x6x30L	3	91901060102902	91901060102902	91901060102902	彈簧
16	Screw-hexa. socket headless set , M8xP1.25x10L	2	91120810	91120810	91120810	固定螺絲
17	Lever	2	1210902703	1210902703	1210902703	手柄
18	Knob	2				
19	Screw-hexa. socket head cap , M10xP1.5x25L	2	91111025	91111025	91111025	六角承窩螺絲
20	Lenx-oil	1	1210902801	1210902801	1210902801	油鏡
21	Shaft-auto stop	1	1210902909	1210902909	1210902909	挺桿
22	Cover-bottom apron	1	1210903004	1210903004	1210903004	護床底蓋
23	Seal-oil , 15x25x7	1	91521501	91521501	91521501	油封
24	Seat-tappet	1	1121601804	1121601804	1121601804	自動停止挺桿座
25	Shaft-tappet	1	1121601902	1121601902	1121601902	止動心軸
26	Screw-hexa. socket headless set , M6xP1.0x16L	2				固定螺絲
27	Tappet	1	1121602007	1121602007	1121602007	自動停止挺桿
28	Nut , M8xP1.25	1				螺帽
29	Screw-hexa. socket headless set , M8xP1.25x30L	1	91102080300005	91102080300005	91102080300005	固定螺絲
30	Screw-hexa. socket headless set , M6xP1.0x40L	1	91120640	91120640	91120640	固定螺絲
31	Set screw , M6x40	1				車削止付
32	Nut , M6xP1.0	2				
33	Screw-oil leakage , PT1/4	1	92590601	92590601	92590601	油塞
34	Seal-oil , 32x42x10	2	91523210	91523210	91523210	油封
35	Bushing	2	1210901804	1210901804	1210901804	軸襯
36	Sleeve-feed rod	1	1210901902	1210901902	1210901902	自動進刀軸套

Item No.	Part Name	Amt. Used	Type : 16 Part No.	Type : 18 Part No.	Type : 20 Part No.	名稱
37	Key-square , 6x6x42L	1	91610611	91610611	91610611	雙圓平行鍵
38	Key-square , 6x6x12L	1	91610601	91610601	91610601	雙圓平行鍵
39	Gear	1	1210903200	1210903200	1210903200	齒輪
40	Seat-worm	1	1210903308	1210903308	1210903308	蝸桿座
41	Shaft-worm	1	1210903406	1210903406	1210903406	蝸桿心軸
42	Bearing-thrust , 2904	2				止推軸承
43	Worm gear	1	1210902007	1210902007	1210902007	蝸桿
44	Washer-lock , 20	1				太陽墊圈
45	Nut	1				蝸桿心軸螺帽
46	Screw-hexa. socket head cap , M6xP1.0x12L	8	91110612	91110612	91110612	六角承窩螺絲
47	Spring , ϕ 1x10x60L (right)	1	1210905400	1210905400	1210905400	彈簧
	(left)	1	1210905508	1210905508	1210905508	
48	Block-safe device (right)	1	1210901000	1210901000	1210901000	安全塊
	(left)	1	1210900905	1210900905	1210900905	
49	Pin , 5x18L	2	92030525	92030525	92030525	彈簧銷
50	Pin (right)	1	1210901206	1210901206	1210901206	撥動軸
	(left)	1	1210901108	1210901108	1210901108	
51	Shaft-auto feed (right)	1	1210901206	1210901206	1210901206	撥動軸
52	Collar (right)	1	1210901206	1210901206	1210901206	撥動軸
53	Ring-O , P16	2	9151P016	9151P016	9151P016	O型環
54	Cover	1	1210903602	1210903602	1210903602	軸蓋
55	Hub (right)	1	1210901402	1210901402	1210901402	撥桿軸套
	(left)	1	1210901304	1210901304	1210901304	
56	Spring washer , M8	1				彈簧華司
57	Screw-hexa. socket head cap , M8xP1.25x12L	1				
58	Snap ring , S10	1				
59	Lever	1	1210903700	1210903700	1210903700	自動停止槓桿
60	Spring washer , M12	1	91420012	91420012	91420012	彈簧墊圈
61	Screw	1	1210903808	1210903808	1210903808	槓桿心軸
62	Screw-hexa. socket head cap , M5xP0.8x20L	1				六角承窩螺絲
63	Spring	1	1210905606	1210905606	1210905606	彈簧
64	Spacer	1	1210903906	1210903906	1210903906	密封塊
65	Bearing-ball , 6005V	1	91301012	91301012	91301012	滾珠軸承
66	Worm-wheel	1	1210902105	1210902105	1210902105	蝸輪
67	Wheel-friction	1	1210902203	1210902203	1210902203	離合齒輪
68	Key-square , 7x7x12L	1				雙圓平行鍵
69	Shaft-worm wheel	1	1210904001	1210904001	1210904001	離合器心軸
70	Pin	1	1210904109	1210904109	1210904109	墊圈擋塊
71	Spring-compressing	1	1210905302	1210905302	1210905302	彈簧
72	Washer	1	1210904207	1210904207	1210904207	墊片
73	Screw-hexa. socket headless set	1				固定螺絲
74	Bearing-ball , 6204	1	91301018	91301018	91301018	滾珠軸承
75	Cover		1210904305	1210904305	1210904305	離合器
76	Snap ring , S20	2	9171S020	9171S020	9171S020	扣環
77	Gear	1	1210902301	1210902301	1210902301	齒輪

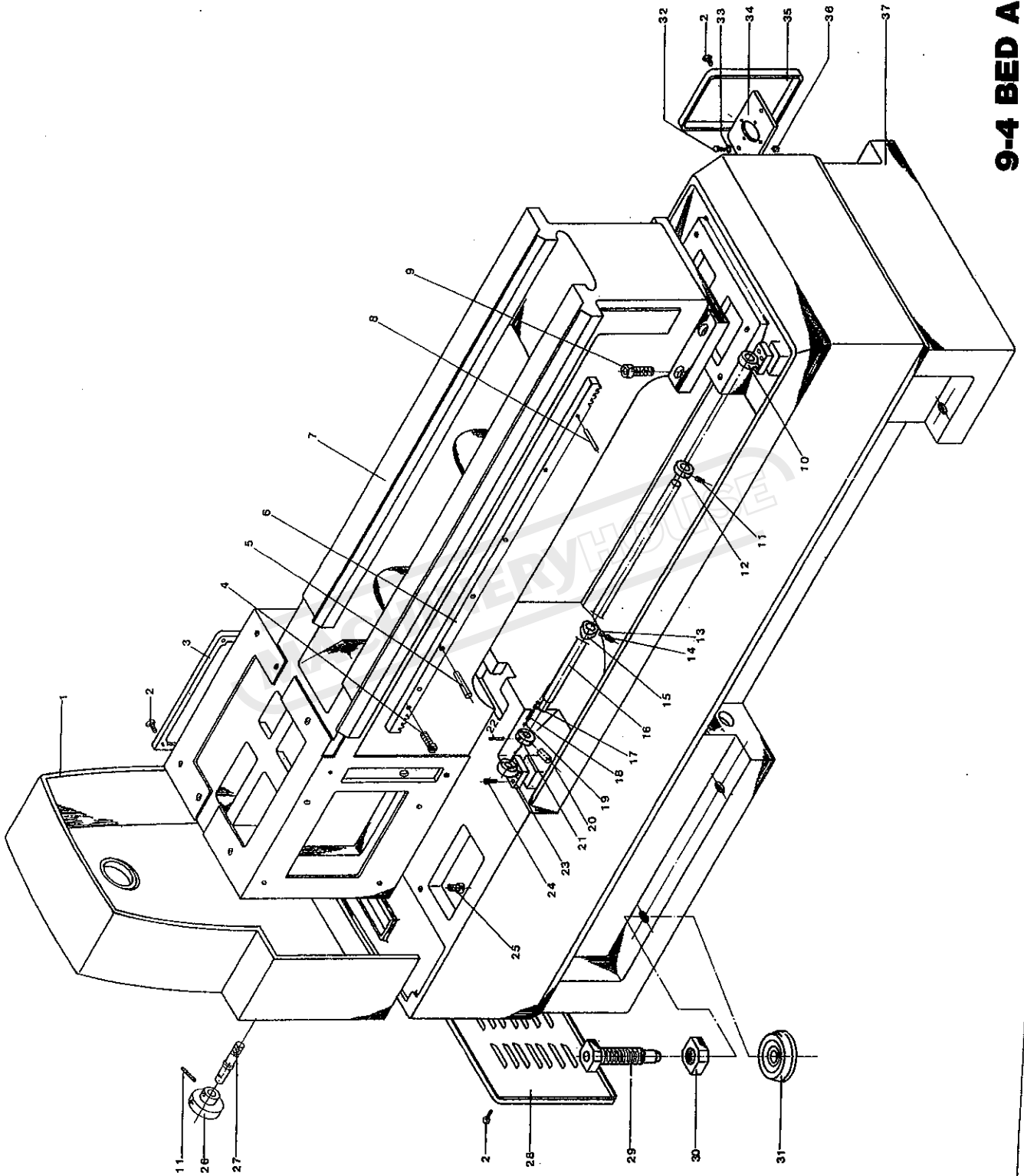
APRON ASSEMBLY

Item No.	Part Name	Amt. Used	Type : 16 Part No.	Type : 18 Part No.	Type : 20 Part No.	名稱
78	Shaft-cross feed	1	1210904403	1210904403	1210904403	縱橫變換軸
79	Set (right)	1	1210901608	1210901608	1210901608	變換軸套
	(left)	1	1210901500	1210901500	1210901500	
80	Shaft-lever	1	1210904501	1210904501	1210904501	縱橫變換齒輪
81	Lever	1				
82	Sleeve-lever	1				
83	Screw-hexa. socket headless set , M4xP0.7x10L	1				固定螺絲
84	Pinion-rack	1	1210904707	1210904707	1210904707	中間軸
85	Key-square , 6x6x20L	1	91610605	91610605	91610605	雙圓平行鍵
86	Bearing-middle , NK20/22	1	91311001	91311001	91311001	滾針軸承
87	Screw-hexa. socket headless set , M6xP1.0x10L	1	91120610	91120610	91120610	固定螺絲
88	Collar	1	1210904805	1210904805	1210904805	固定圈
89	Pin-spring , 6x36L	1	92030636	92030636	92030636	彈簧銷
90	Gear	1	1210904903	1210904903	1210904903	中間軸齒輪
91	Bearing-ball , 6003	1	91301005	91301005	91301005	滾珠軸承
92	Cover	1	1210905008	1210905008	1210905008	軸套
93	Pinion-handwheel		1210905106	1210905106	1210905106	手輪心軸
94	Key-square , 6x6x25L	1	91610605	91610605	91610605	雙圓平行鍵
95	Bearing-ball , 6004V	1	91301008	91301008	91301008	滾珠軸承
95-1	Bearing-ball , 6004Z	1	91301007	91301007	91301007	
96	Seat		1210905204	1210905204	1210905204	軸承套
97	Screw-hexa. socket head cap , M6xP1.0x30L	4	91110630	91110630	91110630	六角承窩螺絲
99	Washer	1	1210701608	1210701608	1210701608	墊塊
100	Washer-wave type	1				浪型墊圈
101	Dial-rack	1	1220900202	1220900202	1220900202	刻度環
102	Handwheel	1	1122101705	1122101705	1122101705	手輪
103	Handle	1	1121102002	1121102002	1121102002	手柄
104	Washer-lock	1	1122101901	1122101901	1122101901	鎖緊墊片
105	Screw-hexa. socket head cap , M8xP1.25x20L	1	91110820	91110820	91110820	六角承窩螺絲
106	Dial-thread chasing (in 4 parts)	1	1003514708	1003514708	1003514708	指示表規
	parts)	1	1003502404	1003502404	1003502404	
	parts)	1	1003514904	1003514904	1003514904	
107	Pin	1				
108	Seat-dial shaft	1	1003514502	1003514502	1003514502	車牙表規座
109	Screw-hexa. socket head cap , M10xP1.5x65L	1	91111065	91111065	91111065	六角承窩螺絲
110	Gear (in 16T)	1	1003514600	1003514600	1003514600	齒輪
	(mm 11T)	1	1003502502	1003502502	1003502502	
	(mm 13T)	1	1003502600	1003502600	1003502600	
	(mm 14T)	1	1003514806	1003514806	1003514806	
	(mm 15T)	1	1003502708	1003502708	1003502708	
	(mm 18T)	1	1003502806	1003502806	1003502806	
111	Washer-spring , 10	1				彈簧墊圈
112	Nut , M10xP1.5	1	91210010	91210010	91210010	螺帽

APRON ASSEMBLY

Item No.	Part Name	Amt. Used	Type : 16 Part No.	Type : 18 Part No.	Type : 20 Part No.	名稱
113	Snap ring , S30	1	9171S030	9171S030	9171S030	扣環
114	Seat-switch	1	1210701706	1210701706	1210701706	開關座
115	Key-square , 6x8x25L	1	91610610	91610610	91610610	雙圓平行鍵
116	Screw-hexa. socket head cap , M8xP1.25x16L	2	91110816	91110816	91110816	六角承窩螺絲
117	Bracket	1	1210701804	1210701804	1210701804	啓動槓桿座
118	Screw-lock	2	1210701902	1210701902	1210701902	特殊固定螺栓
119	Screw-hexa. socket headless cap , M8xP1.25x8L	1	1210702007	1210702007	1210702007	停止定位銷
120	Seat-lever	1	1210702105	1210702105	1210702105	啓動桿
121	Screw-hexa. socket headless set , M8xP1.25x8L	2	91120808	91120808	91120808	固定螺絲
122	Spring	1				彈簧
123	Lever	1	1210702203	1210702203	1210702203	把手
124	Sleeve-lever	1	1122103601	1122103601	1122103601	電木把手

MACHINERYHOUSE



9-4 BED AND BASE

BED AND BASE ASSEMBLY

Item No.	Part Name	Amt. Used	Type : 16 Part No.	Type : 18 Part No.	Type : 20 Part No.	名稱
1	Cover-end	1	1221600201	1221600103	1321600301	主軸側蓋
2	Screw-cross-recessed head , M6xP1.0x20L	12				十字埋頭螺絲
3	Cover-electric box	1	1122102006	1122102006	1122102006	配電箱板蓋
4	Screw-hexa. socket head cap , M6xP1.0x25L	10	91110625	91110625	91110625	六角承窩螺絲
5	Pin-taper , 6x36	2				彈簧銷
6	Rack (5 feet)	1	1210701000	1210701000	1210701000	齒條
	(6 feet , right)	1	1220700604	1220700604	1220700604	
	(6 feet , left)	1	1220700506	1220700506	1220700506	
	(8 feet)	1	1230700509	1230700509	1230700509	
	(10 feet)	1	1240700502	1240700502	1240700502	
7	Bed (5 feet)	1	1210100101	1210100101	1210100101	床身
	(6 feet)	1	1220100104	1220100104	1220100104	
	(8 feet)	1	1230100107	1230100107	1230100107	
	(10 feet)	1	1240100100	1240100100	1240100100	
8	Pin-taper , 6x36	2	92030636	92030636	92030636	彈簧銷
9	Screw-hexa. socket head cap , M16xP2.0x45L	4	91111645	91111645	91111645	六角承窩螺絲
10	Supporter-shaft	1	1122102104	1122102104	1122102104	右軸台
11	Screw-hexa. socket headless set , M6xP1.0x10L	2	91120610	91120610	91120610	固定螺絲
12	Collar	1	1122102202	1122102202	1122102202	停止軸套環
13	Shoe-brass	4	1122102300	1122102300	1122102300	停止凸輪墊塊
14	Screw-hexa. socket headless set , M6xP1.0x6L	1				固定螺絲
15	Cam-auto feed stopping	4	1122102408	1122102408	1122102408	自動進刀停止凸輪
16	Shaft-auto stopping (5 feet)	1	1212100109	1212100109	1212100109	停止軸
	(6 feet)	1	1222100308	1222100308	1222100308	
	(8 feet)	1	1232100105	1232100105	1232100105	
	(10 feet)	1	1242100108	1242100108	1242100108	
17	Screw-hexa. socket headless set , M8xP1.25x8L	1	91120808	91120808	91120808	固定螺絲
18	Spring , 1x6x8L	1	91910610	91910610	91910610	彈簧
19	Ball-steel , 1/4"	1	91820104	91820104	91820104	鋼珠
20	Lever-turning shaft	4	1122103807	1122103807	1122103807	停止轉輪把手
21	Collar	1	1122103905	1122103905	1122103905	自動停止轉輪
22	Screw-hexa. socket headless set , M8xP1.25x10L	1	91120810	91120810	91120810	固定螺絲
23	Supporter-shaft	1	1122102604	1122102604	1122102604	左軸台
24	Screw-hexa. socket head cap , M8xP1.25x16L	4	91110816	91110816	91110816	六角承窩螺絲
25	Screw-hexa. socket head cap , M16xP2.0x55L	8	91111655	91111655	91111655	六角承窩螺絲
26	Plug	1	1122102702	1122102702	1122102702	側蓋鎖緊螺栓塞
27	Bolt-lock	1				
28	Cover-motor seat	2	1122100806	1122100806	1122100806	床頭馬達孔蓋板
29	Bolt-set machine	6	1122102800	1122102800	1122102800	固定螺栓
30	Nut-lock	6	1122102800	1122102800	1122102800	固定螺栓螺帽
31	Block-leveling	6	1003501809	1003501809	1003501809	墊塊

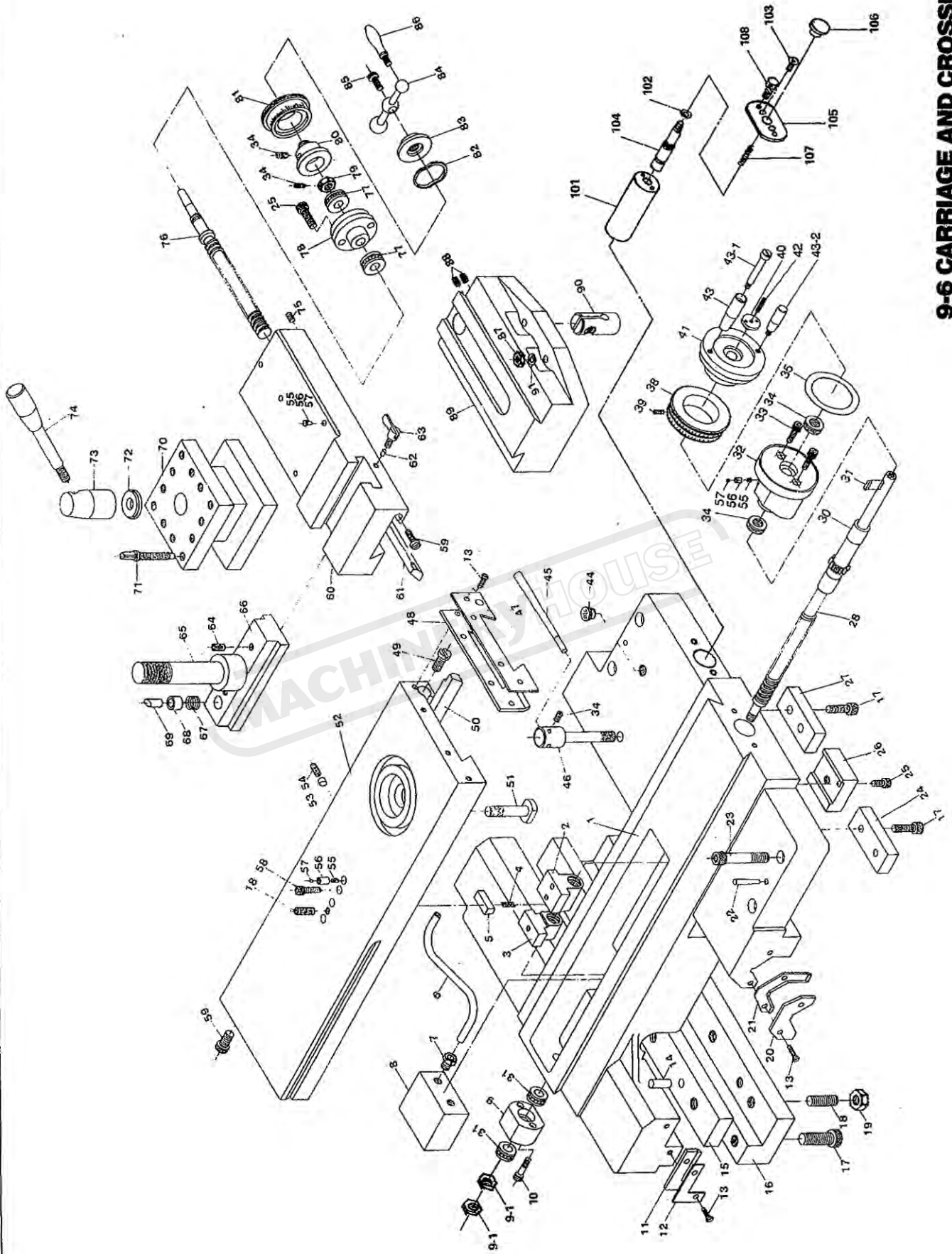
BED AND BASE ASSEMBLY

Item No.	Part Name	Amt. Used	Type : 16 Part No.	Type : 18 Part No.	Type : 20 Part No.	名稱
32	Bolt-hexa. head , W1/4"x25	2				六角頭螺絲
33	Washer , W5/8"	2	91401051600003	91401051600003	91401051600003	墊圈
34	Seat-coolant pump (5 · 6 feet)	1	1210100503	1210100503	1210100503	冷卻泵浦座
	(8 feet)	1	123100509	123100509	123100509	
	(10 feet)	1	1240100502	1240100502	1240100502	
35	Cover-coolant motor seat	1	1005000403	1005000403	1005000403	泵浦孔蓋板
36	Nut-lock , W1/4"	2				螺帽
37	Base (5 feet)	1	1210100209	1210100209	1210100209	底座
	(6 feet)	1	1220100202	1220100202	1220100202	
	(8 feet)	1	1230100205	1230100205	1230100205	
	(10 feet)	1	1246100208	1246100208	1246100208	

MACHINERYHOUSE

BRAKE SYSTEM ASSEMBLY

Item No.	Part Name	Amt. Used	Type : 16 Part No.	Type : 18 Part No.	Type : 20 Part No.	名稱
1	Seat-motor	1	1210400106	1210400106	1210400106	馬達底板
2	Shaft-motor seat	1	1210400204	1210400204	1210400204	基座樞軸
3	Block	2	1210100601	1210100601	1210100601	軸台
4	Screw-hexa. socket headless set , M6xP1.0x15L	4	91102060160003	91102060160003	91102060160003	固定螺絲
5	Cam	1	1210400606	1210400606	1210400606	凸輪
6	Spring	1	1210400302	1210400302	1210400302	彈簧
7	Shaft-brake	1	1210400704	1210400704	1210400704	煞車帶插銷
8	Arm-brake	1	1210400802	1210400802	1210400802	制動搖臂
9	Pin-taper , 4"x38L	1				推拔銷
10	M6xP1.0x10L	1				固定螺絲
11	Screw-hexa. socket head cap , M10xP1.5x20L	3	91111020	91111020	91111020	六角承窩螺絲
12	Bracket-motor seat	1	1210100709	1210100709	1210100709	馬達基座托架
13	Bracket-pedal	2	1210400900	1210400900	1210400900	踏板支架
15	Pedal-brake (5 feet)	1	1210400508	1210400508	1210400508	踏板
	(6 feet)	1	1220400109	1220400109	1220400109	
	(8 feet)	1	1230400102	1230400102	1230400102	
	(10 feet)	1	1240400105	1240400105	1240400105	
16	Shaft-pedal bracket (5 feet)	1	1210100405	1210100405	1210100405	制動踏板軸
	(6 feet)	1	1220100300	1220100300	1220100300	
	(8 feet)	1	1230100401	1230100401	1230100401	
	(10 feet)	1	1240100404	1240100404	1240100404	
17	Screw-hexa. socket head cap , M8xP1.25x25L	4	91110825	91110825	91110825	六角承窩螺絲
18	Nut , M16	5	91210016	91210016	91210016	螺帽
19	Washer , M16	8	91410016	91410016	91410016	平墊圈
20	Bolt-adjusting	1	1210401005	1210401005	1210401005	調整螺栓固定銷
21	Washer , M12	1	91410012	91410012	91410012	平墊圈
22	Nut , M12	1	91210012	91210012	91210012	螺帽
23	Bolt-adjusting	1	1210400400	1210400400	1210400400	調整螺栓
24	Belt-brake (5HP , 15HP)	1	1003519605	1003519605	1003519605	煞車帶
	(7.5HP , 10HP)	1	1003519703	1003519703	1003519703	
25	Belt pulley (5HP/60HZ)	1	1000400805	1000400403	1000400403	馬達皮帶輪
	(7.5HP/60HZ)	1	1000400501	1000400109	1000400109	
	(5HP/50HZ)	1	1000400609	1000400207	1000400207	
	(7.5HP/50HZ)	1	1000400707	1000400305	1000400305	
26	Screw-hexa. socket headless set , M8xP1.25x8L	1	91120608	91120608	91120608	固定螺絲
27	Key , 8x7.5x40 (5HP)	1				雙圓平行鍵
	10x8x65 (7.5HP)	1				
	(10HP)	1				
	12x8x80 (15HP)	1				
28	Motor	1				馬達
29	Bolt-hexa. head , M10x30L	4				六角鋼螺絲



9-6 CARRIAGE AND CROSSFEED

CARRIAGE AND CROSSFEED ASSEMBLY

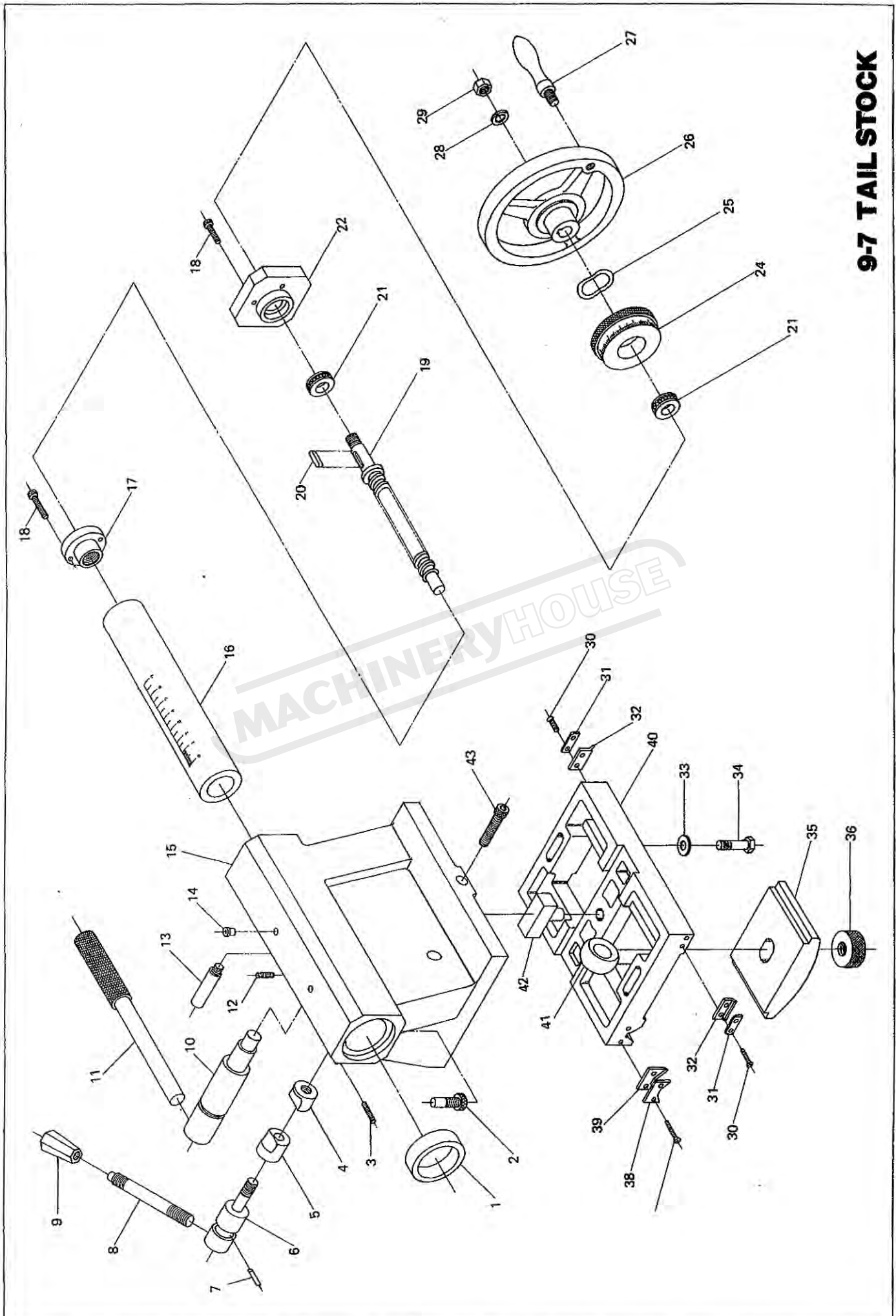
Item No.	Part Name	Amt. Used	Type : 16 Part No.	Type : 18 Part No.	Type : 20 Part No.	名稱
1	Carriage	1	1220800109	1220800109	1220800109	滑座本體
2	Nut-crossfeed	1				螺帽
3	Nut-crossfeed	1				螺帽
4	Spring , 0.3x5x15L	1				彈簧
5	Shim-crossfeed nut	1	1120800901	1120800901	1120800901	楔
6	Pipe-lubrication oil	1				
7	Nut-copper	1				
8	Conveyor-oil	1	1120801006	1120801006	1120801006	分油器
9	Cap-crossfeed screw	1	1120801104	1120801104	1120801104	托架
9-1	Nut-hexa. head , M12xP1.25	1				六角螺帽
10	Screw-hexa. socket head cap , M6xP1.0x10L	2	91110610	91110610	91110610	六角承窩螺絲
11	Wiper-rear	1	1122100100	1122100100	1122100100	右後防塵油封
12	Case-wiper , rear	1	1122100306	1122100306	1122100306	後防塵油封固定片
13	Screw-cross-recessed , M4xP0.7x10L	8	91140410	91140410	91140410	十字圓頭螺絲
14	Pin	2				直銷
15	Gib	1	1220800207	1220800207	1220800207	埃條
16	Holder-gib	1	1220800403	1220800403	1220800403	後扁栓
17	Screw-hexa. socket head cap , M8xP1.25x20L	2	91110820	91110820	91110820	六角承窩螺絲
18	Screw-hexa. socket headless set , M8xP1.25x20L	5	91120820	91120820	91120820	固定螺絲
19	Nut , M8xP1.25	4				螺帽
20	Case-wiper , front	1	1122100404	1122100404	1122100404	前防塵油封固定片
21	Wiper-front	1	1122100100	1122100100	1122100100	防塵油封
22	Pin-taper , 6#x75L	2	1210700503	1210700503	1210700503	推拔銷
23	Screw-hexa. socket head cap , M10xP1.5x70L	4				六角承窩螺絲
24	Gib-left-front	1	1120801202	1120801202	1120801202	左前扁栓
25	Screw-hexa. socket head cap , M6xP1.0x20L	3	91120620	91120620	91120620	固定螺絲
26	Clamp-carriage	1	1120801300	1120801300	1120801300	滑座夾緊塊
27	Gib-right-front	1	1120801408	1120801408	1120801408	右前扁栓
28	Screw-crossfeed (10TPI , in)	1	1000800501	1000800501	1000800501	導螺桿
	(4MM , mm)	1	1000800109	1000800109	1000800109	
29	Pin-spring , 5x30L	1	92030530	92030530	92030530	彈簧銷
30	Pinion-crossfeed (local)	1		1220800501	1320800209	齒輪軸
	(export)	1		1220800609	1320800307	
31	Square key , 5x5x15L	1	91303001	91303001	91303001	止推軸承
32	Bracket	1	1120800107	1120800107	1120800107	托架
33	M8xP1.25x40L	2	91110840	91110840	91110840	六角承窩螺絲
34	Bearing-thrust , 6x6	2	91120606	91120606	91120606	固定螺絲
35	Washer-wave type , 6210	2	91440001	91440001	91440001	浪型墊圈
36	Screw-hexa. socket head cap headless set , M6xP1.0x10	1	91120610	91120610	91120610	固定螺絲
37	Clutch-dial	1	1120802807	1120802807	1120802807	測微規基座
38	(10TPI/left/export)	1	1000803502	1000803502	1000803502	測微規套環
	(4MM/left/export)	1	1000802603	1000802603	1000802603	

CARRIAGE AND CROSSFEED ASSEMBLY

Item No.	Part Name	Amt. Used	Type : 16 Part No.	Type : 18 Part No.	Type : 20 Part No.	名稱
39	Screw-hexa. socket headless set , M6xP1.0x15L	1				六角承窩螺絲
40	Set screw	1	1120803000	1120803000	1120803000	測微規基座
41	Handle-wheel (local)	1	1120802601	1120802601	1120802601	手柄
	(export)	1	1120802709	1120802709	1120802709	
42	Screw -adjusting , M6xP1.0x30L	1				調整螺栓
43	Knob-handle (local)	1	1120803206	1120803206	1120803206	手柄
	(export)	1	1120803304	1120803304	1120803304	
43-1	Screw-handle (export)	1	1120803500	1120803500	1120803500	螺絲
43-2	Knob-handle	1	1120803402	1120803402	1120803402	握把
44	Plug-oil inlet	1	1122103405	1122103405	1122103405	油塞
45	Lever	1	1120801506	1120801506	1120801506	固定把手
46	Screw-carriage clamp	1	1120800607	1120800607	1120800607	固定螺栓
47	Case-wiper	1				
48	Wiper	1	1222100102	1222100102	1222100102	橫滑座防塵油封
49	Screw-adjusting	1	1120801604	1120801604	1120801604	調整螺栓
50	Gib	1	1220800305	1220800305	1220800305	嵌條
51	Bolt	4	1120800509	1120800509	1120800509	特殊螺帽
52	Cover-cross sliding	1	1430800802	1430800802	1430800802	橫滑座
53	Shoe-clamp	1	1220800707	1220800707	1220800707	鎖緊銷
54	Screw-hexa. socket headless cap , M6xP1.0x20L	1	91120620	91120620	91120620	固定螺絲
55	Ball-steel , 1/4"	1				銅入珠
56	Ball-steel , 1/4"	1				銅入珠
57	Ball-steel , 1/4"	1				銅入珠
58	Screw-hexa. socket head cap , M6xP1.0x3	3				六角承窩螺絲
59	Screw-gib	2	112081702	112081702	112081702	調整螺栓
60	Compound rest (local , mm)	1	1000804901	1000805300	1000805702	刀具滑座
	(export , in)	1	1000811504	1000805604	1000806003	
61	Gib-compound rest	1				
62	Shoe-clamp	1	1220800707	1220800707	1220800707	鎖緊銷
63	Screw-clamp	1				
64	Screw-hexa. socket headless cap , M8xP1.25x10L	4				
65	Shaft-tool post	1				
65-1	Shaft-tool post	1				
66	Block-tee	1				
67	Spring , 1x8x20L	1				
68	Sleeve	1				
69	Button	1				
70	Tool post-square (in)	1	1003512802	1003512606	1003512606	四方刀架
	(mm)	1	1003512704	1003512508	1003512508	
71	Screw-square head	1	1000804107	1000804107	1000804107	刀架螺絲
72	Washer	1				
73	Knob-lever	1	1000810605	1000810605	1000810605	鎖緊輪
74	Lever	1	1003521301	1003521301	1003521301	煙斗
75	Screw-gib , M8xP1.25x30L	1				

CARRIAGE AND CROSSFEED ASSEMBLY

Item No.	Part Name	Amt. Used	Type : 16 Part No.	Type : 18 Part No.	Type : 20 Part No.	名稱
76	Screw-compound rest	1	1000803904	1000803904	1000803904	船座導螺桿
77	Bearing-thrust , 51102	2				
78	Seat-compound rest screw	1				
79	Nut	1				
80	Collar	1				
81	Dial-compound rest	1	1000820003	1000820003	1000820003	刻度環
82	Washer-wave type	1				
83	Nut	1				螺絲
84	Handle	1				
85	Screw-hexa. socket head cap , M6xP1.0x16L	1	91110616	91110616	91110616	六角承窩螺絲
86	Knob-handle	1				
87	Nut , M10xP1.5	4				螺絲
88	Screw-hexa. socket headless set , M8xP1.25x8L	2				
89	Swivel	1				
90	Nut-compound rest screw	1				
91	Spring washer , M10	4				
101	Body-pump	1	1120801800	1120801800	1120801800	泵浦本體
102	Ring-O , P10	1				O型環
103	Screw , M5xP0.8x12L	2				六角孔埋頭螺絲
104	Rod-pump	1	1120801908	1120801908	1120801908	活塞桿
105	Stopper	1	1120802003	1120802003	1120802003	固定板
106	Plug	1		1120802101	1120802101	把手
107	Spring-compressing , ϕ 1.2x10x63L	1				彈簧
108	Screw-hexa. socket head cap , M6xP1.0x16L	2	1120802209	1120802209	1120802209	十字圓頭螺絲



9-7 TAIL STOCK

TAILSTOCK ASSEMBLY

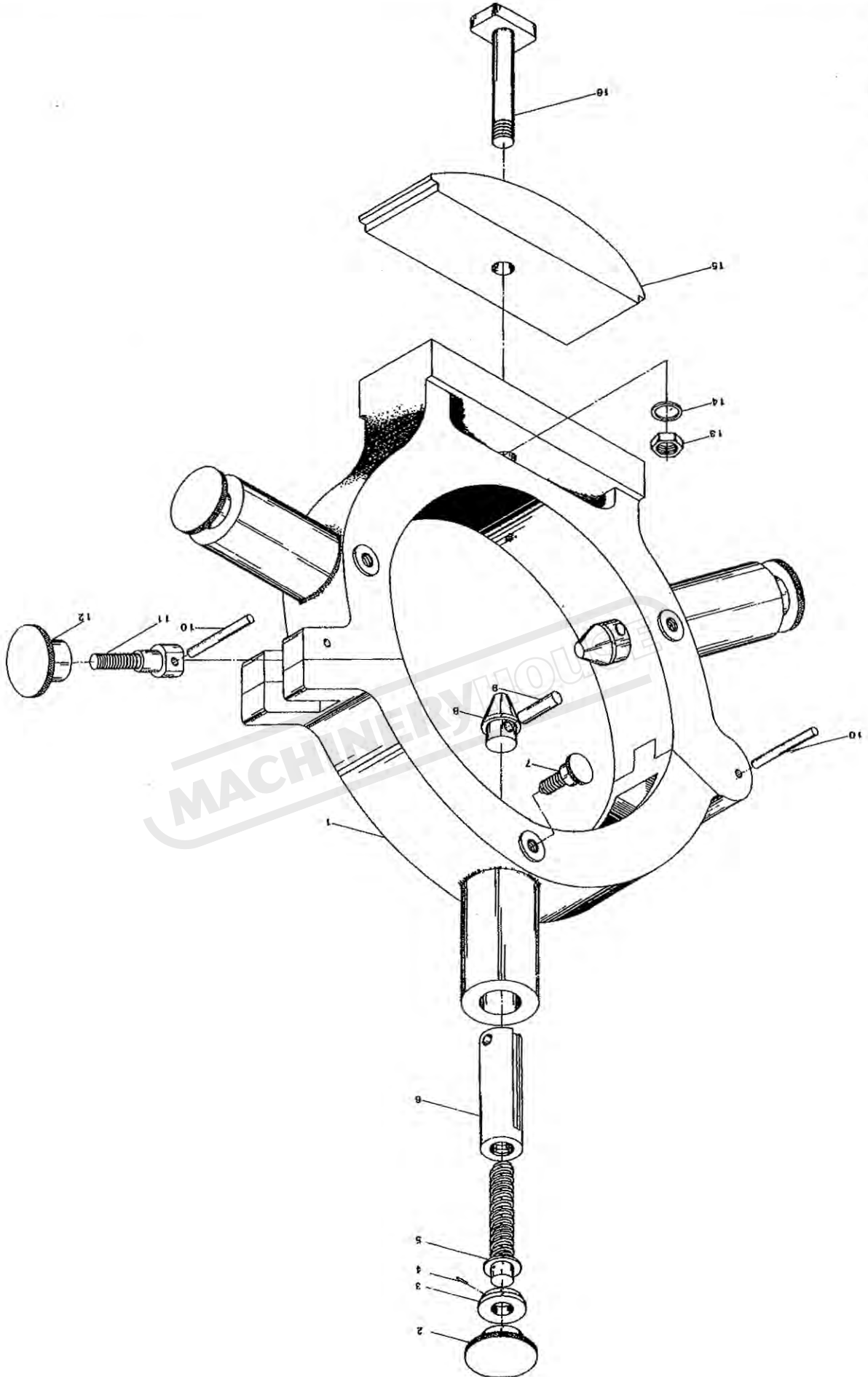
Item No.	Part Name	Amt. Used	Type : 16 Part No.	Type : 18 Part No.	Type : 20 Part No.	名稱
1	Seal-oil, TC68x90x12	1	91526801	91526801	91526801	油封
2	Screw-hexa. socket head cap , M8xP1.25x10L	1	1121100802	1121100802	1121100802	六角承窩螺絲
3	Screw-hexa. socket headless set , M6xP1.0x10L	1	91120610	91120610	91120610	固定螺絲
4	Block-clamp	1	1121101005	1221100706	1221100706	鎖緊軸套
5	Block-clamp	1	1121101005	1221100706	1221100706	鎖緊軸套
6	Shaft-clamp spindle	1	1121101103	1221100804	1221100804	鎖緊螺栓
7	Pin , 5x12	1				彈簧銷
8	Lever	1	1121102100	1121102100	1121102100	手柄
9	Sleeve-lever	1	1120207400	1120207400	1120207400	電木把手
10	Shaft-clamp bottom	1	1121101201	1221100902	1221100902	偏心軸柄
11	Lever	1	1121101201	1221100902	1221100902	偏心軸柄
12	M6xP1.0x20L	1	91120620	91120620	91120620	固定螺絲
13	Screw-brake	1	1121102306	1121102306	1121102306	制動銷
14	Plug-oil	3				銅入珠
15	Body-tailstock	1	1121100106	1221100108	1221100108	尾座本體
16	Spindle-tang slot	1	1121101309	1221101007	1221101007	套筒
17	Cap-spindle	1				銅螺帽
18	Screw-hexa. socket head cap , M6xP1.0x12L	3	91110612	91110612	91110612	六角承窩螺絲
19	Screw-spindle feed (in)	1		1221100304	1221100304	螺旋軸
	(mm)	1		1221100402	1221100402	
20	Key-square , 6x6x25	1	91610606	91610606	91610606	雙圓平行鍵
21	Bearing-thrust , 51204	2				止推軸承
22	Cap-body end	1	1121101407	1221101105	1221101105	尾座後護蓋
23	Screw-hexa. socket head cap , 96xP1.0x25L	4				
24	Dial-feed (in)	1	1121100508	1221100500	1221100500	刻度環
	(mm)	1	1121100606	1221100608	1221100608	
25	Washer-wave type , 6205	1	91440002	91440002	91440002	浪型墊圈
26	Handwheel	1	1121100900	1121100900	1121100900	手輪
27	Knob	1	1121102002	1121102002	1121102002	握把
28	Washer , 1/2"	1	9141S001	9141S001	9141S001	平墊圈
29	Nut , 1/2-20UNF	1	9125S001	9125S001	9125S001	特殊耐龍鎖緊螺帽
30	Screw-cross-recessed , M4xP0.7x12L	4				十字圓頭螺絲
31	Case-wiper	2				前防塵油封固定片
32	Wiper	2				防塵油封
33	Washer-flat , M10	2	91410010	91410010	91410010	平墊圈
34	Bolt-clamp , M10xP1.5x75L	2				六角頭螺絲
35	Clamp	1				制動塊
36	Washer	1				螺帽
38	Case	1				後防塵油封固定片
39	Wiper	1				防塵油封
40	Bottom-tailstock	1				尾座底板
41	Bolt-clamp	1				環首螺栓
42	Block-adjusting	1				左右調整塊

TAILSTOCK ASSEMBLY

Item No.	Part Name	Amt. Used	Type : 16 Part No.	Type : 18 Part No.	Type : 20 Part No.	名稱
43	Screw-hexa. socket , M10xP1.5x80L	2	91111080	91111080	91111080	六角承窩螺絲

MACHINERYHOUSE

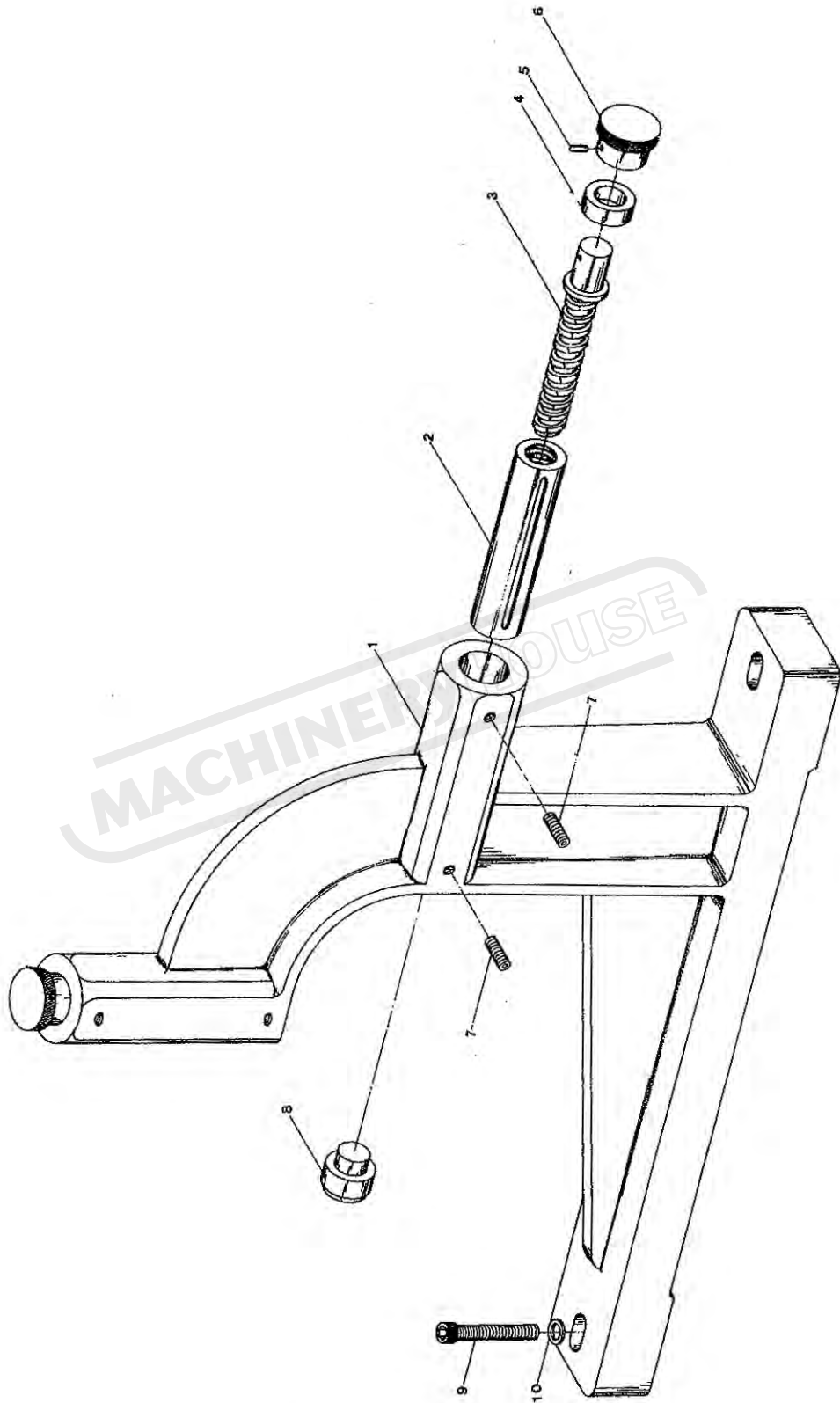
9-8 STEADY REST



STEADY REST

Item No.	Part Name	Amt. Used	Type : 16 Part No.	Type : 18 Part No.	Type : 20 Part No.	名稱
1	Steady-rest	3				中心架
2	Plug-lead screw	3				
3	Cap , 6x52L	12				
4	Pin	3				
5	Lead-screw	3				
6	Nut-lead screw	1				
7	Screw-fixed	3				
8	Jaw	3				
9	Pin-fixed	3				
10	Pin , 9x25L	2				
11	Screw	1				
12	Plug	1				
13	Nut , W5/8"	1				
14	Washer	1				
15	Block-clamp	1	1003500204	1003500204	1003500204	固定架制動塊
16	Bolt	1	1003500400	1003500400	1003500400	制動塊螺栓
	(6" 套銅)		1003519203	1003501103		中心架
	(6" 軸承)		1003519301	1003501201		
	(9" 套銅)			1003501309	1003501505	
	(9" 軸承)			1003501407	1003501603	

9-9 FOLLOW REST

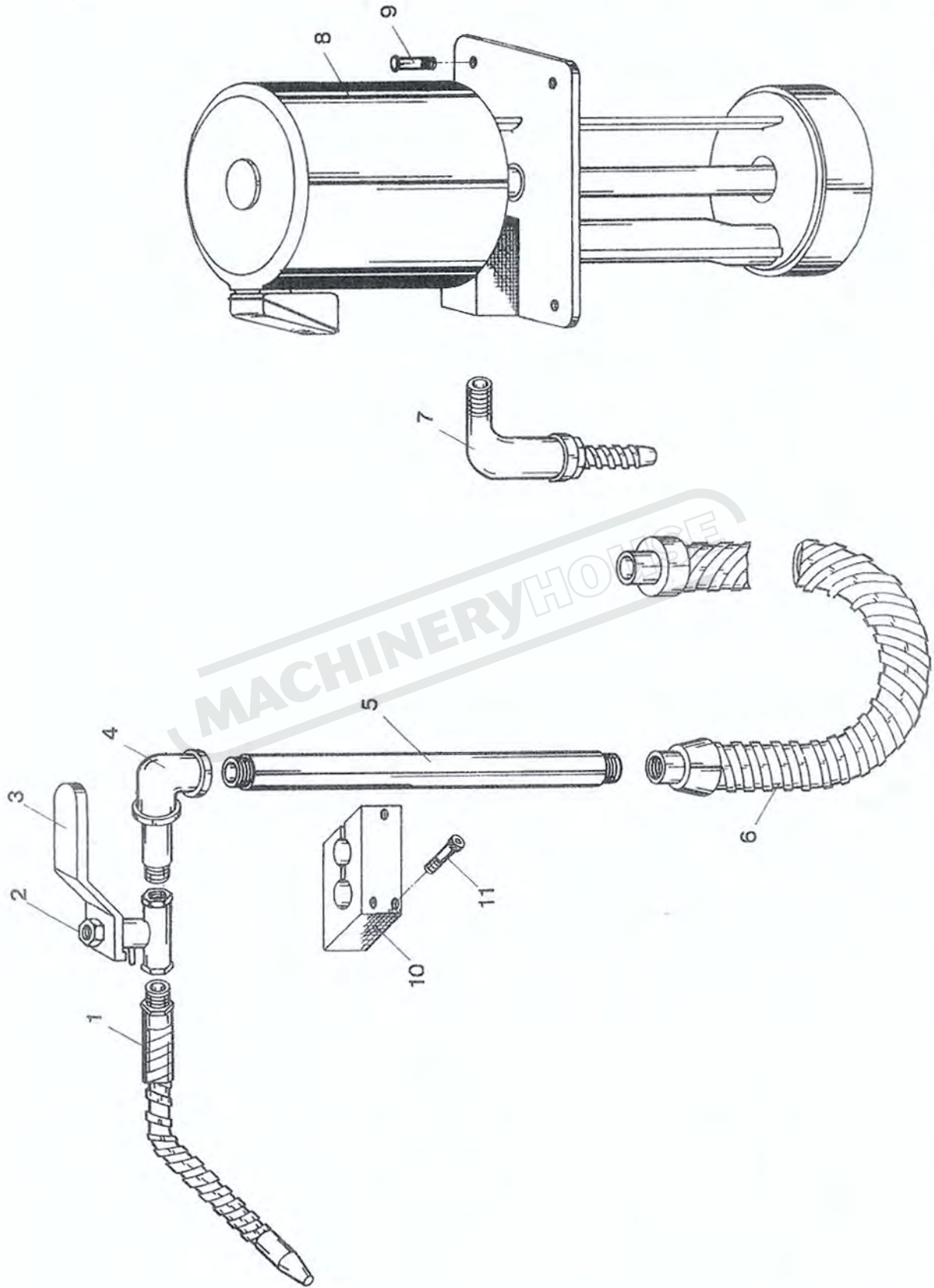


FOLLOW REST ASSEMBLY

Item No.	Part Name	Amt. Used	Type : 16 Part No.	Type : 18 Part No.	Type : 20 Part No.	名稱
1	Body-follow rest	1				跟刀架
2	Nut-lead screw	2				
3	Lead-screw	2				
4	Collar	2				
5	Pin , 4x25L	2				
6	Plug-lead screw	2				
7	Screw-hexa. socket headless cap , M8xP1.25x10L	4				
8	Shoe	2				
9	Screw-hexa. socket head cap , M10xP1.5x30L	2	91111030	91111030	91111030	六角承窩螺絲
10	Washer					
	(6" 套銅)		10035019409	1003503107		跟刀架
	(6" 軸承)		100352700	100352710		
	(9" 套銅)			1003503107	1003503205	
	(9" 軸承)			100352710	100352720	

MACHINERYHOUSE

9-10 COOLANT SYSTEM



COOLANT SYSTEM ASSEMBLY

Item No.	Part Name	Amt. Used	Type : 16 Part No.	Type : 18 Part No.	Type : 20 Part No.	名稱
1	Nozzle	1				
2	Nut-lock	1				
3	Cock-lever	1				
4	Elbow	1				
5	Pump body	1				
6	Pipe (5, 6 feet)	1	92605002	92605002	92605002	噴水軟管
	(8 feet)	1	92605003	92605003	92605003	
	(10 feet)	1	92605001	92605001	92605001	
7	Elbow	1				
8	Pump body	1				
9	Bolt-hex. head , M6xP1.0x12L	2				
10	Supporter-lock pipe	1				
11	Screw-hexa. socket head cap , M6xP1.10x20L	3	91110620	91110620	91110620	六角承窩螺絲

MACHINERYHOUSE